

Installation Instructions PowerEck

(features 3 grounding receptacles)

voltage : 230V/50-60Hz



wipo
ELEKTROTECHNIK
LICHTTECHNIK

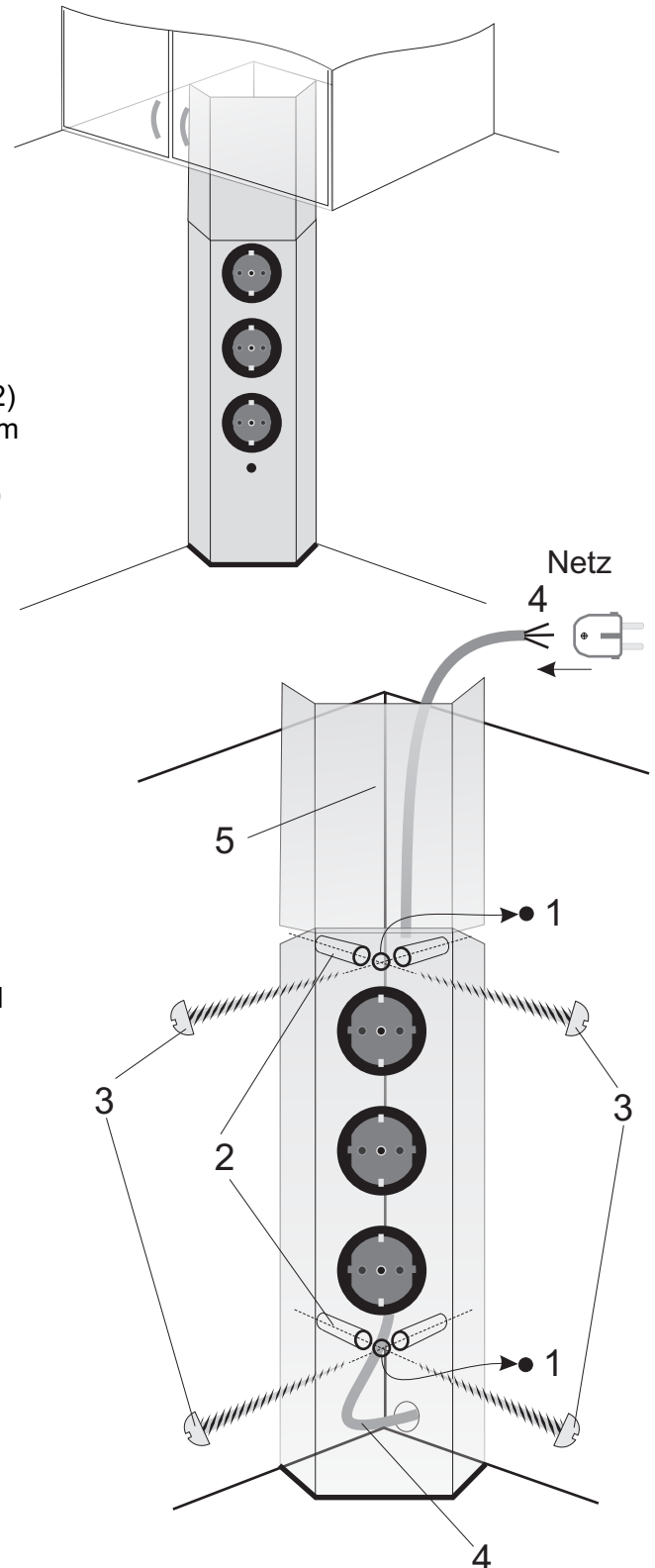
fits between countertop and top cabinet
adjustable fairing fits a wide vertical range

beware of sharp edges, risk of injury !

Installation:

(installation hardware shipped is used for homogenous brickwork only)

1. depending on your wire routing, drill hole for power cord and may be the plug connector 4 (size !)
2. remove to plugs (1) to get access to guide bushings (2)
3. attach PowerEck in the place wanted; plug screws from your hardware kit (3) through guide bushings and pull tight (do not use power tool); close holes with caps (1)
4. seat fairing (5) on front end of the PowerEck and adjust as required
5. attach plug from your hardware kit to open end of power cord; make sure to comply with local regulations and have skilled personnel do this job
6. plug connector in outlet to energize your PowerEck



Caution !

Installation work is limited to skilled or trained personnel in compliance with your local regulations !

Use is limited to dry, enclosed spaces.

Use genuine parts only to replace defectives.

Check power rating of components !

Non compliance will void manufacturer's warranty.

Do not damage or extend the original power cord; modifications, if necessary, need to be done by skilled personnel in compliance with your local regulations.

Note :

to avoid damage to the surface, do not use abrasives or abrasive-soaked sponges.

Use special stainless steel cleaners only.

This is a hand-made product; surface may show different